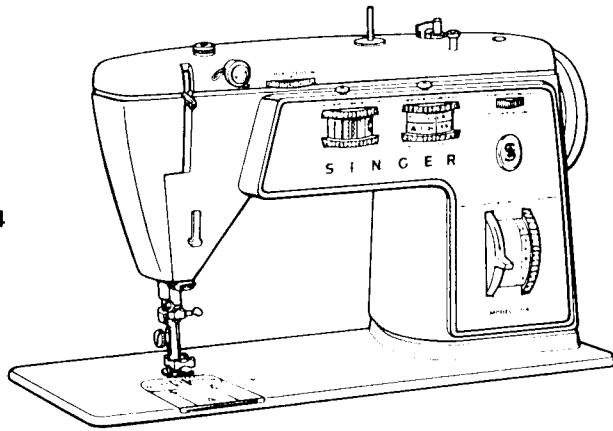


SINGER
714/717/719/724/734/774/776

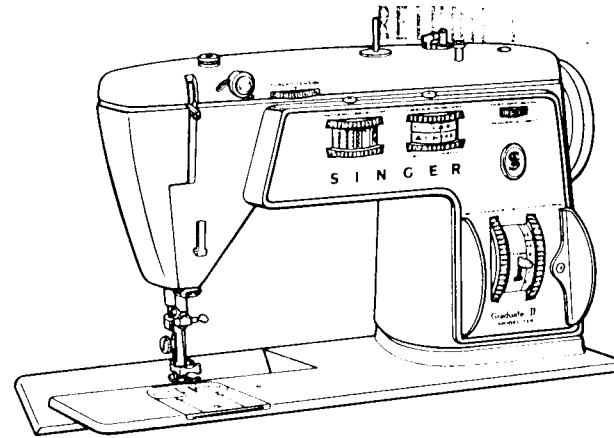
List of Parts - APOLLO HOOK Machines

REPAIR COPY

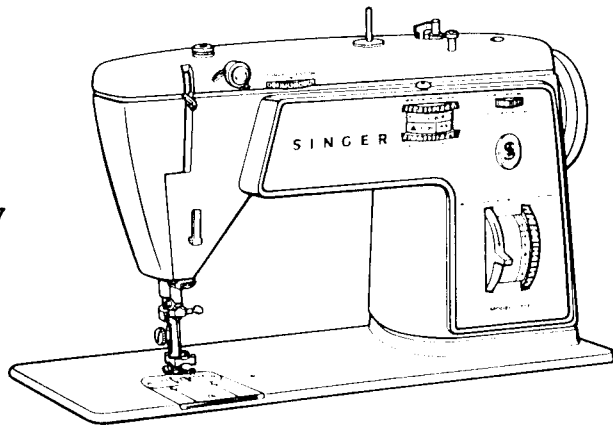
714



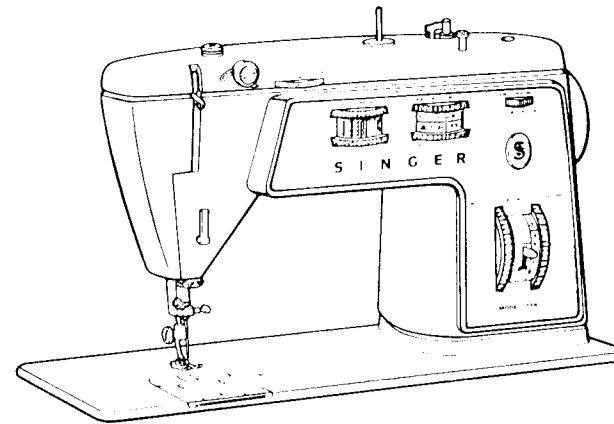
724



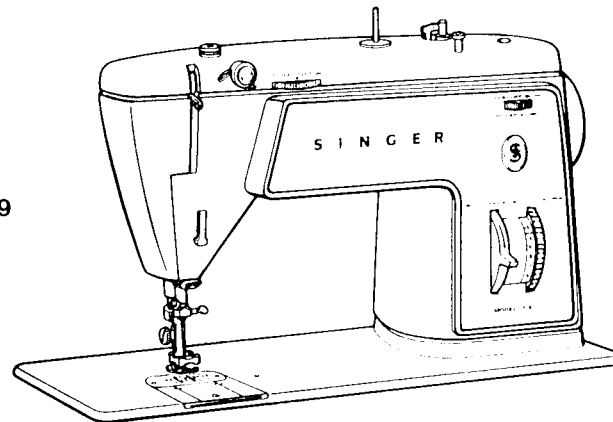
717



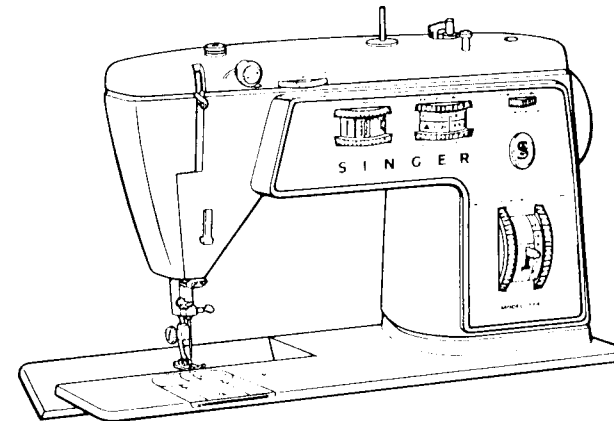
734



719



774
776



From the library of: Diamond Needle Corp



List of Parts - APOLLO HOOK Machines (ATTACHMENT SETS)

PART NO.	FLAT BED				CONV. BED			PART DESCRIPTION
	714	717	719	734	724	774	776	
103488	x	x	x	x	x	x	x	Needle Pack (plastic) ----- Catalog No. 2020, Needle, Size 14 (3) ----- Catalog No. 2045, Needle, Size 14 (2)
161166	x	x	x		x			Presser Foot for Cording and Slide Fasteners
161172	x	x	x		x		x	Seam and Blindstitch Hem Guide
161295	x	x	x		x			Screw Driver (small)
161917-001				x		x	x	Presser Foot Plate for Sewing Buttonholes
161919				x		x	x	Presser Foot Plate for Straight Sewing
163374	x				x			Presser Foot for Overedge Stretch Stitch Sewing
163483					x			Special Purpose Presser Foot
171110				x		x	x	Blind Stitch Guide
171137	x	x		x	x	x	x	Throat Plate for Straight Sewing
171138	x	x		x	x	x	x	Feed Cover Plate for Darning and Embroidery
171150-656							x	Spool Pin for Twin Needle Sewing
171227			x					Feed Cover Plate, for Darning and Embroidery
171234-656							x	Attachment Box Complete
171387	x	x			x			Bight Amplitude and Needle Position Control Dials and Disc Selector Dial Locking Screw Stud Key
171390		x						Attachment Box (cardboard)
171399			x					Attachment Box (cardboard)

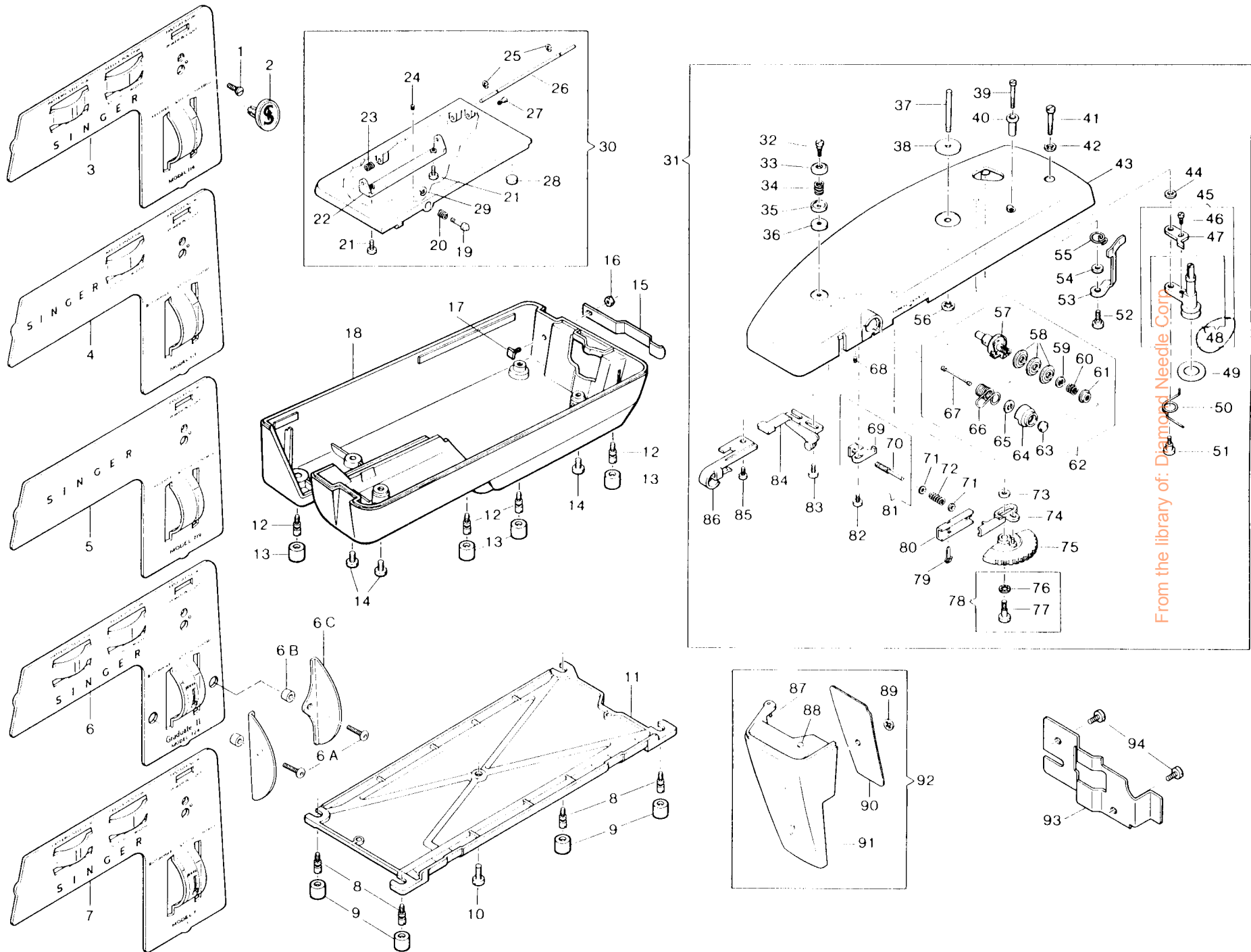
From the library of: Diamond Needle Corp

List of Parts - APOLLO HOOK Machines (ATTACHMENT SETS)

PART NO.	FLAT BED				CONV. BED			PART DESCRIPTION
	714	717	719	734	724	774	776	
171460				x		x		Presser Foot Plate for Overedge Stretch Stitch Sewing
171463				x		x	x	Special Purpose Presser Foot Plate
171480				x		x	x	Presser Foot Plate for Cording and Slide Fasteners
172222	x	x	x		x			Bobbin (3)
172336				x		x	x	Bobbin (plastic) (3)
181545	x	x			x			Presser Foot for Straight Sewing
381066							x	Presser Foot for Button Sewing
381167	x							Attachment Box (cardboard)
381224				x		x		Attachment Box (cardboard)
381255					x			Presser Foot for Sewing Buttonholes
381256					x			Attachment Box (cardboard)
381271					x			Bed (convertible) Lid Latch Locking Screw Key
501750							x	Lint Brush
171389		x						Attachment Set Complete
171396			x					Attachment Set Complete
381168	x							Attachment Set Complete
381223				x		x		Attachment Set Complete
381257					x			Attachment Set Complete
381334							x	Attachment Set Complete

From the library of: Diamond Needle Corp

List of Parts - APOLLO HOOK Machines (COVERS)



From the library of: Diamond Needle Corp.

List of Parts - APOLLO HOOK Machines (COVERS)

NO.	PART NO.	FLAT BED				CONV. BED			PART DESCRIPTION
		714	717	719	734	724	774	776	
1	141890-819	x	x	x	x	x	x	x	Control Panel Screw
2	174445	x	x	x	x	x	x	x	Control Panel Insert
3	382448	x							Control Panel
4	382447		x						Control Panel
5	181516			x					Control Panel
6	383098					x			Control Panel
6A	354652-451					x			Reverse Feed Lever Guard Screw
6B	383101					x			Reverse Feed Lever Guard Spacer
6C	383100-451					x			Reverse Feed Lever Guard
7	382701				x				Control Panel
	382724						x		Control Panel
	383139							x	Control Panel
8	141882-809	x	x	x	x				Bed Cover Plate (bottom) Cushion Screw (4)
9	174124	x	x	x	x				Bed Cover Plate (bottom) Cushion (rubber) (4)
10	139861-856				x				Bed Cover Plate (bottom) Fastening Screw
	354106-451	x	x	x					Bed Cover Plate (bottom) Fastening Screw
11	174421-656	x	x	x	x				Bed Cover Plate (bottom, plastic)
12	354222-451					x	x	x	Bed (convertible) Cover (bottom) Cushion Screw (4)
13	381899					x	x	x	Bed (convertible) Cover (bottom) Cushion (rubber) (4)
14	354170-451					x	x	x	Bed (convertible) Cover (bottom) Fastening Screw (3)
15	382930					x			Plug Retaining Bracket
16	53652-814					x			Plug Retaining Bracket Nut
17						x			Bed (convertible) Cover (bottom) Insert Stud (for plug retaining bracket)
18	382928-451					x			Bed (convertible) Cover Assembly (bottom)
	382721-451						x	x	Bed (convertible) Cover Assembly (bottom)
19	382914					x			Bed (convertible) Lid Latch (steel)
	382983-451						x	x	Bed (convertible) Lid Latch (plastic)
20	381877					x	x	x	Bed (convertible) Lid Latch Spring
21	141860-814					x	x	x	Bed (convertible) Lid Hinge Bracket Screw (2)
22	382740					x	x	x	Bed (convertible) Lid Hinge Bracket
23	381876					x	x	x	Bed (convertible) Lid Hinge Spring
24	354204-452					x			Bed (convertible) Lid Latch Locking Screw
25	507563					x	x	x	Bed (convertible) Lid Hinge Pin Retaining Ring (2)
26	382741					x	x	x	Bed (convertible) Lid Hinge Pin
27	381878					x	x	x	Bed (convertible) Lid Positioning Button (plastic)
28	619491-001					x	x	x	Bed (convertible) Lid Pad
29	182195					x	x	x	Bed (convertible) Lid Latch Retaining Ring

From the library of: Diamond Needle Corp

List of Parts - APOLLO HOOK Machines (COVERS)

NO.	PART NO.	FLAT BED				CONV. BED			PART DESCRIPTION
		714	717	719	734	724	774	776	
30	382853-451					x			Bed (convertible) Lid Complete
	382716-451						x	x	Bed (convertible) Lid Complete
31	182215-451	x	x	x	x	x			Arm Top Cover Complete
	383144-451						x	x	Arm Top Cover Complete
32	141931-855	x	x	x	x	x	x	x	Bobbin Winder Tension Disc Cover Screw
33	172557	x	x	x	x	x	x	x	Bobbin Winder Tension Disc Cover
34	45847	x	x	x	x	x	x	x	Bobbin Winder Tension Disc Spring
35	129158	x	x	x	x	x	x	x	Bobbin Winder Tension Disc
36	172558	x	x	x	x	x	x	x	Bobbin Winder Tension Disc Spacer
37	172908	x	x	x	x	x	x	x	Arm Top Cover Spool Pin
38	8879-726	x	x	x	x	x	x	x	Arm Top Cover Spool Pin Washer (felt)
39	141932-856	x	x	x	x	x	x	x	Bobbin Winder Thread Post Screw
40	163642	x	x	x	x	x	x	x	Bobbin Winder Thread Post
41	141949-873	x	x	x	x	x	x	x	Arm Top Cover Screw
42	931555-043	x	x	x	x	x	x	x	Arm Top Cover Screw Lock Washer
	382961	x	x	x	x	x	x	x	Arm Top Cover Spacing Washer
43	174360-656	x	x	x	x	x			Arm Top Cover
	383143-451						x	x	Arm Top Cover
44	172556	x	x	x	x	x	x	x	Bobbin Winder Frame Spring Spacer
45	163636	x	x	x	x	x	x	x	Bobbin Winder Frame 163635 with 227-805 and 163643 <i>NLA</i>
46	227-805	x	x	x	x	x	x	x	Bobbin Winder Tripping Arm Adjusting Screw
47	163643	x	x	x	x	x	x	x	Bobbin Winder Tripping Arm
48	163635	x	x	x	x	x	x	x	Bobbin Winder Frame with 32771 and 45836
49	15287-656	x	x	x	x	x	x	x	Bobbin Winder Friction Ring
50	163637	x	x	x	x	x	x	x	Bobbin Winder Frame Spring
51	141929-803	x	x	x	x	x	x	x	Bobbin Winder Frame Hinge Screw
52	139946-803	x	x	x	x	x	x	x	Bobbin Winder Stop Latch Hinge Screw
53	172964	x	x	x	x	x	x	x	Bobbin Winder Stop Latch
54	172556	x	x	x	x	x	x	x	Bobbin Winder Stop Latch Spring Spacer
55	163641	x	x	x	x	x	x	x	Bobbin Winder Stop Latch Spring
56	171163	x	x	x	x	x	x	x	Arm Top Cover Spool Pin Retaining Ring
57	172690	x	x	x	x	x	x	x	Tension Stud
58	174396	x	x	x	x	x	x	x	Tension Disc (3)
59	174398	x	x	x	x	x	x	x	Tension Disc Pressure Plate
60	174418	x	x	x	x	x	x	x	Pre-Tension Spring

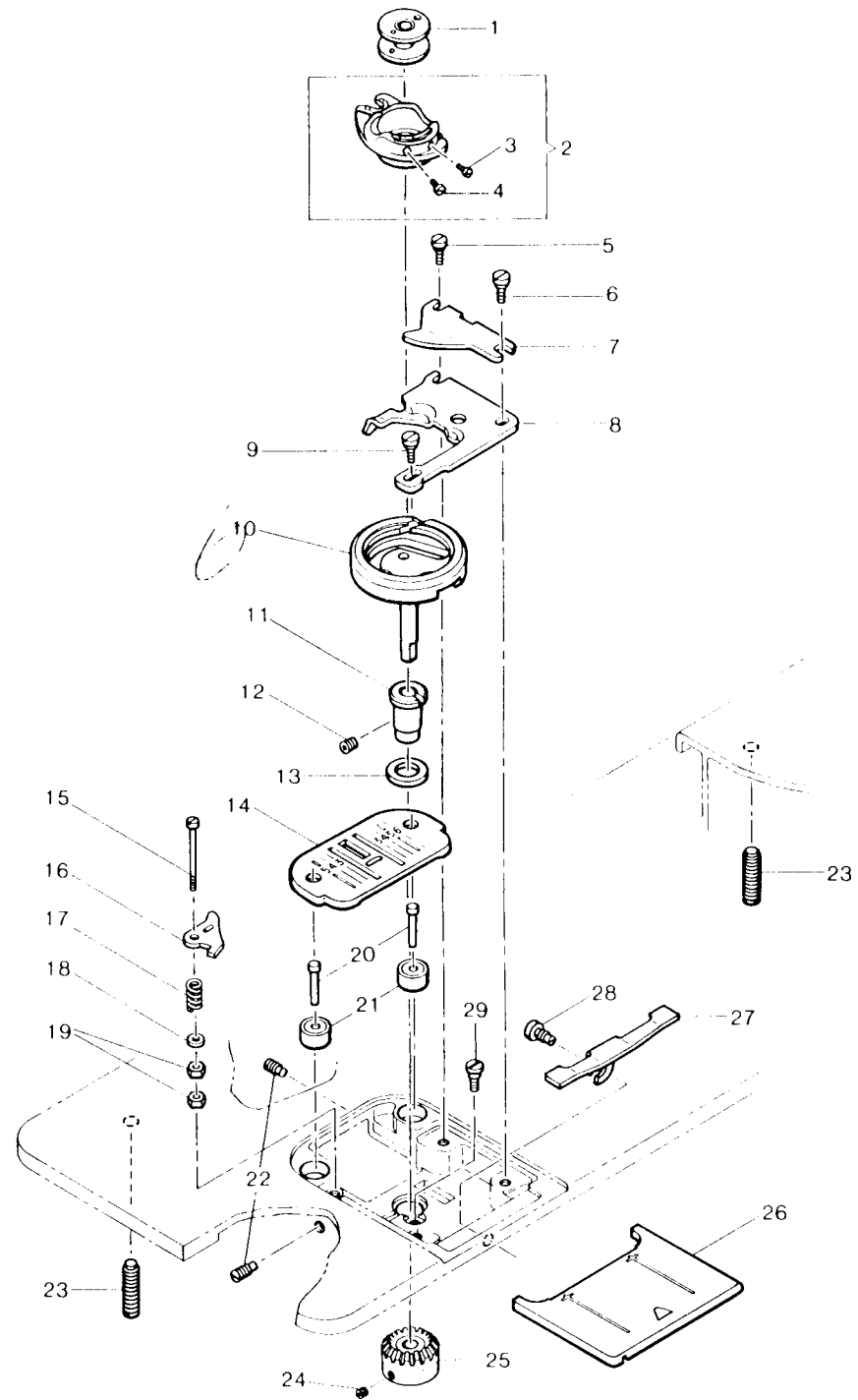
From the library of: Diamond Needle Corp

List of Parts - APOLLO HOOK Machines (COVERS)

NO.	PART NO.	FLAT BED				CONV. BED			PART DESCRIPTION
		714	717	719	734	724	774	776	
61	174419	x	x	x	x	x	x	x	Pre-Tension Spring Adjusting Nut
62	172820-656	x	x	x	x	x	x	x	Tension Complete
63	174395-839	x	x	x	x	x	x	x	Tension Cap and Slack Thread Regulator Nut
64	174393-656	x	x	x	x	x	x	x	Tension Cap and Slack Thread Regulator (plastic)
65	174394	x	x	x	x	x	x	x	Tension Cap and Slack Thread Regulator Friction Washer
66	174416	x	x	x	x	x	x	x	Thread Take-up Spring
67	174397	x	x	x	x	x	x	x	Tension Disc Pressure Pin
68	139878-869	x	x	x	x	x	x	x	Tension Stud Set Screw
69	172866	x	x	x	x	x	x	x	Tension Spring Adjusting Screw Mounting Bracket
70	139925-451	x	x	x	x	x	x	x	Tension Spring Adjusting Screw
71	172731	x	x	x	x	x	x	x	Tension Spring Adjusting Screw Washer (2)
72	172865	x	x	x	x	x	x	x	Tension Spring
73	172675	x	x	x	x	x	x	x	Tension Indicator Dial Washer
74	174403	x	x	x	x	x	x	x	Tension Regulating Slide
75	174400-656	x	x	x	x	x	x	x	Tension Indicator Dial (plastic)
76	506479	x	x	x	x	x	x	x	Tension Indicator Dial Hinge Screw Friction Washer
77	354623-451	x	x	x	x	x	x	x	Tension Indicator Dial Hinge Screw
78	383074	x	x	x	x	x	x	x	Kit Consisting of Washer 506479 and Screw 354623-451
79	172906	x	x	x	x	x	x	x	Tension Regulating Slide Plate Spring Clip
80	174404	x	x	x	x	x	x	x	Tension Regulating Slide Plate
81	172867	x	x	x	x	x	x	x	Tension Spring Adjusting Screw Mounting Bracket 172866 with 139925-451
82	141879-803	x	x	x	x	x	x	x	Tension Spring Adjusting Screw Mounting Bracket Screw
83	141877-814	x	x	x	x	x	x	x	Tension Releasing Lever Mounting Bracket Screw
84	174406	x	x	x	x	x	x	x	Tension Releasing Lever
85	141246-814	x	x	x	x	x	x	x	Face Plate Catch Screw
86	182198	x	x	x	x		x	x	Face Plate Catch
87	170032	x	x	x	x	x	x	x	Face Plate Hinge Pin (2)
88	21440-814	x	x	x	x	x	x	x	Face Plate Catch Locking Pin
89	172804	x	x	x	x	x	x	x	Threading Diagram Retainer
90	174470-656	x	x	x	x	x	x	x	Threading Diagram
91	174177-656	x	x	x	x	x	x	x	Face Plate with 21440-814 and two 170032
92	174178-656	x	x	x	x	x	x	x	Face Plate with 21440-814, 172804, 174470-656 and two 170032
93	174422	x	x	x	x				Bed Cover Plate (right side)(for Canada)
94	141872-814	x	x	x	x				Bed Cover Plate (right side) Screw (2)(for Canada)
	382937					x			Package of Parts in a Plastic Bag, Nos. 53652-814 and 382930

From the library of: Diamond Needle Corp

List of Parts - APOLLO HOOK Machines (HOOK AREA)



From the library of: Diamond Needle Corp

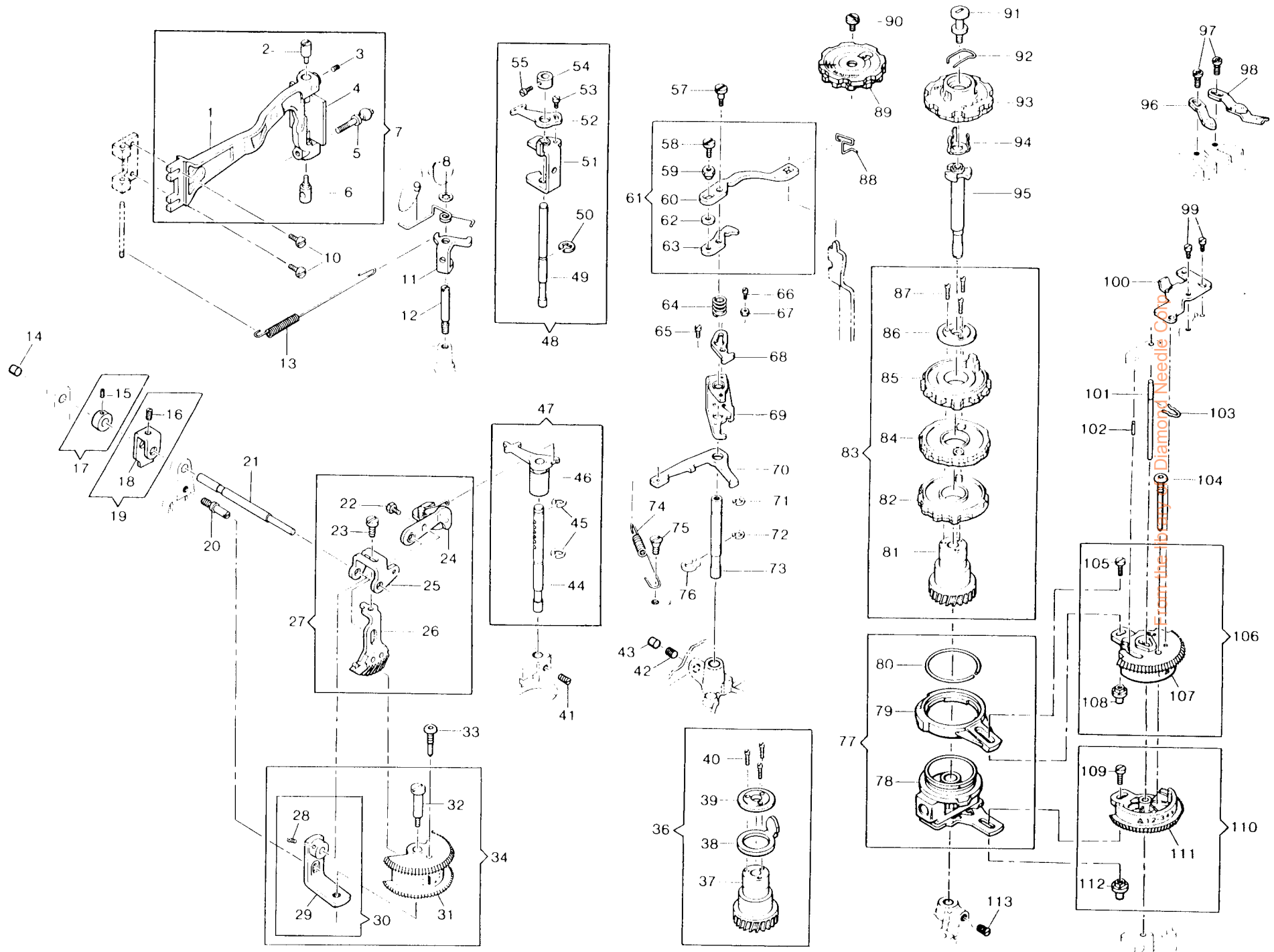
List of Parts - APOLLO HOOK Machines (HOOK AREA)

NO.	PART NO.	FLAT BED				CONV. BED			PART DESCRIPTION
		714	717	719	734	724	774	776	
1	172222	x	x	x		x			Rotating Hook Bobbin (steel)
	172336				x		x	x	Rotating Hook Bobbin (plastic)
2	310885	x	x	x	x	x	x	x	Rotating Hook Bobbin Case with 139975-803 and 354183-451
3	139975-803	x	x	x	x	x	x	x	Rotating Hook Bobbin Case Tension Spring Segment Screw
4	354183-451	x	x	x	x	x	x	x	Rotating Hook Bobbin Case Tension Regulating Screw
5	354225-451	x	x	x	x	x	x	x	Rotating Hook Bobbin Case Position Plate and Retaining Plate (adjustable) Adjusting Screw (back)
6	354228-451	x	x	x	x	x	x	x	Rotating Hook Bobbin Case Position Plate and Retaining Plate (adjustable) Adjusting Screw (front)
7	381903	x	x	x	x	x	x	x	Rotating Hook Bobbin Case Retaining Plate (adjustable)
8	44873	x	x	x	x	x	x	x	Rotating Hook Bobbin Case Position Plate
9	354161-451	x	x	x	x	x	x	x	Rotating Hook Bobbin Case Position Plate Screw
10	163651	x	x	x	x	x	x	x	Rotating Hook
11	382999	x	x	x	x	x	x	x	Rotating Hook Flanged Bushing (eccentric)
12	354103-451	x	x	x	x	x	x	x	Rotating Hook Flanged Bushing Set Screw
13	382827	x	x	x	x	x	x	x	Rotating Hook Flanged Bushing Spacer
14	174198	x	x		x	x	x	x	Throat Plate, for zig-zag sewing
	174199			x					Throat Plate for Straight Sewing
15	381725	x	x	x	x	x	x	x	Rotating Hook Bobbin Case Retaining Plate Screw Stud
16	381890	x	x	x	x	x	x	x	Rotating Hook Bobbin Case Retaining Plate
17	319735	x	x	x	x	x	x	x	Rotating Hook Bobbin Case Retaining Plate Screw Stud Spring
18	381728	x	x	x	x	x	x	x	Rotating Hook Bobbin Case Retaining Plate Screw Stud Washer
19	54595-451	x	x	x	x	x	x	x	Rotating Hook Bobbin Case Retaining Plate Screw Stud Nut (2)
20	174256	x	x	x	x	x	x	x	Throat Plate Catch Pin (2)
21	507196	x	x	x	x	x	x	x	Throat Plate Securing Magnet (2)
22	141825-830	x	x	x	x	x	x	x	Throat Plate Catch Pin Screw (2)
23	139953-451	x	x	x					Machine Hinge Connection Set Screw (2)
	139950-451				x				Machine Hinge Connection Set Screw (2)
24	141338-869	x	x	x	x	x	x	x	Rotating Hook Bevel Gear (plastic) Set Screw
25	163329	x	x	x	x	x	x	x	Rotating Hook Bevel Gear (plastic) with 141338-869
26	172956	x	x	x					Bed Slide
	382710					x	x	x	Bed (convertible) Slide
27	172957	x	x	x	x				Bed Slide Spring
	382713					x	x	x	Bed (convertible) Slide Spring
28	141810-451	x	x	x	x				Bed Slide Spring Screw
	354519-452					x	x	x	Bed (convertible) Slide Spring Screw
29	354162-451	x	x	x	x	x	x	x	Rotating Hook Flanged Bushing (eccentric) Position Adjusting Screw

From the library of: Diamond Needle Corp

List of Parts - APOLLO HOOK Machines

(CAM STACK AND FOLLOWERS)



www.threadfastener.com

List of Parts - APOLLO HOOK Machines

(CAM STACK AND FOLLOWERS)

NO.	PART NO.	FLAT BED				CONV. BED			PART DESCRIPTION
		714	717	719	734	724	774	776	
1	172573	x	x		x	x	x	x	Needle Bar Driving Arm
2	172949	x	x		x	x	x	x	Needle Bar Driving Arm Plate Pin (upper, eccentric)
3	141802-869	x	x		x	x	x	x	Needle Bar Driving Arm Plate Pin (upper, eccentric) Set Screw
4	163565	x	x		x	x	x	x	Needle Bar Driving Arm Plate (plastic)
5	172575	x	x		x	x	x	x	Needle Bar Driving Arm Ball Pivot
6	163567	x	x		x	x	x	x	Needle Bar Driving Arm Plate Pin (lower, plastic)
7	172574	x	x		x	x	x	x	Needle Bar Driving Arm 172573 with 141802-869, 163565, 163567, 172575 and 172949
8	172948	x			x	x	x	x	Needle Bar Driving Arm Auxiliary Spring Retaining Ring
9	172900	x			x	x	x	x	Needle Bar Driving Arm Auxiliary Spring
10	139887-803	x	x		x	x	x	x	Needle Bar Driving Arm Hinge Bracket Screw (2)
11	172056	x	x		x	x	x	x	Needle Bar Driving Arm Plate Tension Arm
12	141842-803	x	x		x	x	x	x	Needle Bar Driving Arm Plate Tension Arm Screw Stud
13	172905	x			x	x	x	x	Needle Bar Driving Arm Tension Spring
	172057-001		x						Needle Bar Driving Arm Tension Spring
14	174462-656	x	x	x	x	x	x	x	Plug (plastic) (to plug shaft hole, back of machine)
15	141739-869	x			x	x	x	x	Needle Bar Driving Arm Plate Kick-out Follower Stop Collar Set Screw
16	141899-451	x			x	x	x	x	Needle Bar Driving Arm Plate Kick-out Follower Lever Set Screw
17	172667	x			x	x	x	x	Needle Bar Driving Arm Plate Kick-out Follower Stop Collar with 141739-869
18	174305	x			x	x	x	x	Needle Bar Driving Arm Plate Kick-out Follower Lever
19	172578	x			x	x	x	x	Needle Bar Driving Arm Plate Kick-out Follower Lever 174305 with 141899-451
20	172960	x			x	x	x	x	Disc Selector Dial Bracket Guide Screw Stud
21	174303	x			x	x	x	x	Disc Selector Arm Shaft
22	141892-814	x			x	x	x	x	Disc Selector Arm Extension Screw
23	141945-814	x			x	x	x	x	Disc Selector Arm Screw
24	172748	x			x	x	x	x	Disc Selector Arm Bracket with Kick-out Spring and Extension
25	172659	x			x	x	x	x	Disc Selector Arm
26	172665	x			x	x	x	x	Disc Selector Arm Gear Bracket
27	172660	x			x	x	x	x	Disc Selector Arm 172659 with 141892-814, 141945-814, 172665 and 172748
28	141739-869	x			x	x	x	x	Disc Selector Dial Bracket Screw
29	174353	x			x	x	x	x	Disc Selector Dial Bracket
30	174467	x			x	x	x	x	Disc Selector Dial Bracket 174353 with 141739-869
31	382302-451	x							Disc Selector Dial
	382939-451				x	x	x		Disc Selector Dial
	383179-451							x	Disc Selector Dial
32	141895-451	x			x	x	x	x	Disc Selector Dial Hinge Screw
33	382305	x				x			Disc Selector Dial Locking Screw Stud
34	382303-451	x							Disc Selector Dial 382302-451 with 141895-451 and 174467
	382940-451				x	x	x		Disc Selector Dial 382939-451 with 141895-451 and 174467
	383180-451							x	Disc Selector Dial 383179-451 with 141895-451 and 174467
36	381576		x	x					Disc Driving Worm Wheel 381575 with 172699, 172700 and three 141841-451
37	381575		x	x					Disc Driving Worm Wheel (plastic)
38	172699		x	x					Disc Driving Plate
39	172700		x	x					Disc Driving Plate Clamping Plate
40	141841-451		x	x					Disc Driving Plate Clamping Plate Screw (3)

From the library of: Diamond Needle Corp

List of Parts - APOLLO HOOK Machines

(CAM STACK AND FOLLOWERS)

NO.	PART NO.	FLAT BED				CONV. BED			PART DESCRIPTION
		714	717	719	734	724	774	776	
41	141891-830	x			x	x	x	x	Disc Selector Arm Bracket Follower Index Pin Set Screw
	141891-830		x	x					Disc Follower Stud Set Screw
42	141886-451	x	x		x	x	x	x	Cam Controlled Feed Lever and Needle Position Cam Follower Bracket Mounting Stud Set Screw
	141886-451			x					Cam Controlled Feed Lever Mounting Stud Set Screw
43	172592-656	x	x	x	x	x	x	x	Plug (plastic) (to plug Set Screw Hole, back of machine)
44	174351	x			x	x	x	x	Disc Selector Arm Bracket Follower Index Pin
45	163221	x			x	x	x	x	Disc Selector Arm Bracket Follower Index Pin Retaining Ring (2)
46	174300							x	Disc Selector Arm Bracket Follower
	382323	x			x	x	x		Disc Selector Arm Bracket Follower
47	172730							x	Disc Selector Arm Bracket Follower Index Pin 174351 with 174300 and two 163221
	382325	x			x	x	x		Disc Selector Arm Bracket Follower Index Pin 174351 with 382323 and two 163221
48	172857		x						Disc Follower 172853 with 141888-814, 151525, 172856, 174364 and 174365
49	174365		x						Disc Follower Stud
50	151525		x						Disc Follower Stud Retaining Ring
51	172856		x						Disc Follower Bracket
52	172853		x						Disc Follower
53	141888-814		x						Disc Follower Screw
54	174364		x						Disc Follower Collar with 141855-814
55	141855-814		x						Disc Follower Collar Set Screw
57	141953-803	x	x	x	x	x	x	x	Cam Controlled Feed Lever Follower Mounting Screw
58	141850-805	x	x	x	x	x	x	x	Cam Controlled Feed Lever Eccentric Screw
59	174325	x	x	x	x	x	x	x	Cam Controlled Feed Lever Eccentric
60	174323	x	x	x	x	x	x	x	Cam Controlled Feed Lever
61	174324	x	x	x	x	x	x	x	Cam Controlled Feed Lever 174323 with 141850-805, 174325, 174326 and 174370
62	174370	x	x	x	x	x	x	x	Cam Controlled Feed Lever Spacer
63	174326	x	x	x	x	x	x	x	Cam Controlled Feed Lever Follower
64	172826	x	x		x	x	x	x	Needle Position Cam Follower Return Spring
65	141888-814	x	x		x	x	x	x	Needle Position Cam Follower Screw
66	139927-451	x	x		x	x	x	x	Needle Position Cam Follower Adjusting Eccentric Screw
67	172870	x	x		x	x	x	x	Needle Position Cam Follower Adjusting Eccentric
68	174358	x	x		x	x	x	x	Needle Position Cam Follower
69	174306	x	x		x	x	x	x	Needle Position Cam Follower Bracket
70	174304	x			x	x	x	x	Needle Bar Driving Arm Plate Kick-out Follower
71	163562	x	x		x	x	x	x	Needle Position Cam Follower Retaining Ring
72	163562	x			x	x	x	x	Needle Bar Driving Arm Plate Kick-out Follower Retaining Ring (upper)
73	174349	x	x		x	x	x	x	Cam Controlled Feed Lever and Needle Position Cam Follower Bracket Mounting Stud
	174349			x					Cam Controlled Feed Lever Mounting Stud
74	172816	x			x	x	x	x	Needle Bar Driving Arm Plate Kick-out Follower Return Spring
75	139883-805	x			x	x	x	x	Needle Bar Driving Arm Plate Kick-out Follower Return Spring Screw
76	172825	x			x	x	x	x	Needle Bar Driving Arm Plate Kick-out Follower Retaining Ring (lower)
77	172855	x	x		x	x	x	x	Bight Amplitude Selector and Needle Position Cam 172851 with 174428 and 174429
78	172851	x	x		x	x	x	x	Bight Amplitude Selector
79	174428	x	x		x	x	x	x	Needle Position Cam (plastic)
80	174429	x	x		x	x	x	x	Needle Position Cam Retaining Ring

From the library of: Diamond Needle Corp

List of Parts - APOLLO HOOK Machines

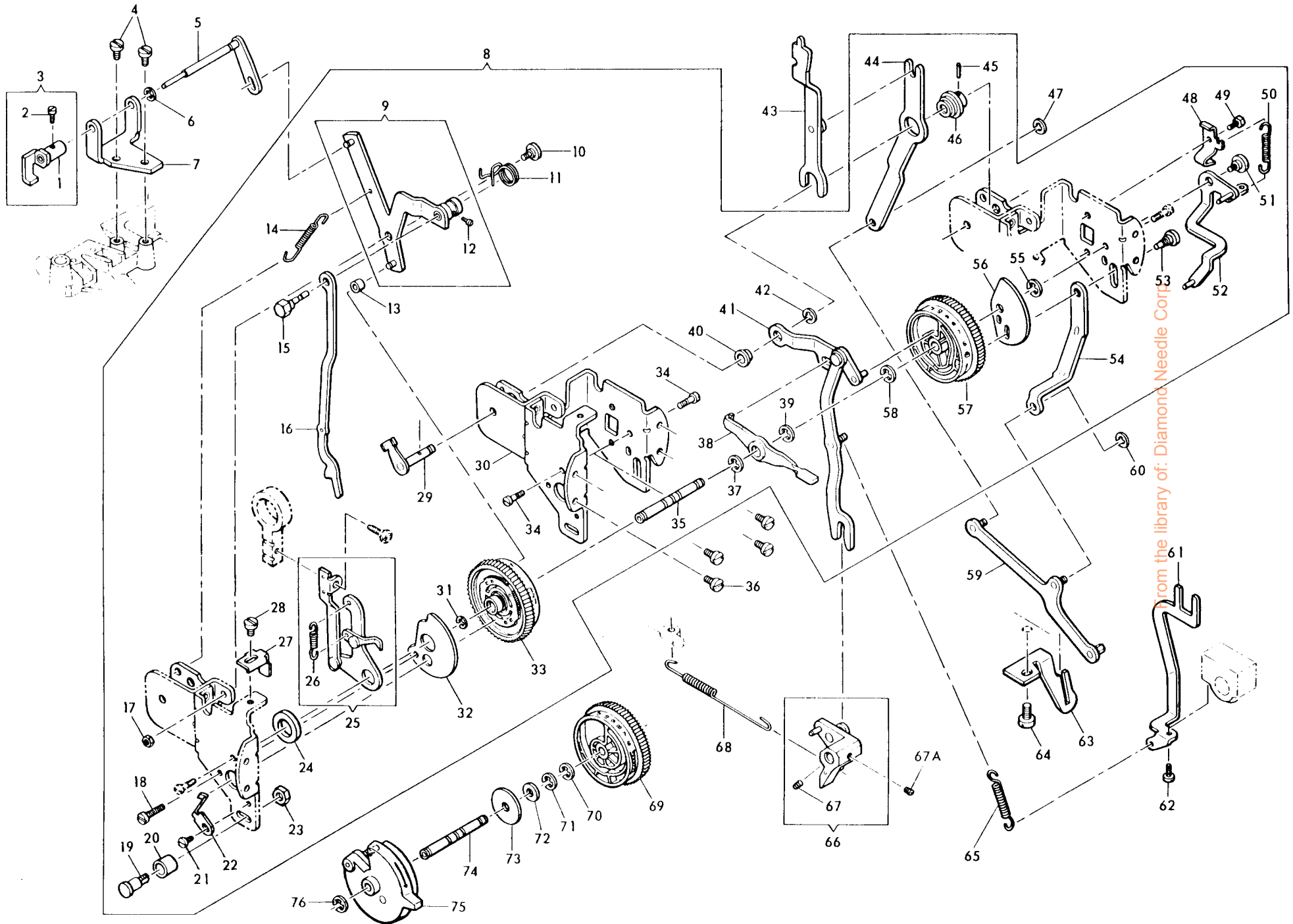
(CAM STACK AND FOLLOWERS)

NO.	PART NO.	FLAT BED				CONV. BED			PART DESCRIPTION
		714	717	719	734	724	774	776	
81	381577	x			x	x	x	x	Disc Driving Worm Wheel (plastic)
82	181542	x			x	x	x	x	Disc Stack (lower section, plastic)
83	381578	x			x	x	x	x	Disc Driving Worm Wheel 381577 with 172668, 181541, 181542, 181543 and three 141841-451
84	181541	x			x	x	x	x	Disc Stack (center section, plastic)
85	181543	x			x	x	x	x	Disc Stack (upper section, plastic)
86	172668	x			x	x	x	x	Disc Stack Clamping Plate
87	141841-451	x			x	x	x	x	Disc Stack Clamping Plate Screw (3)
88	172877	x	x	x	x	x	x	x	Cam Controlled Feed Lever Retaining Spring
89	181509		x						Disc (fixed, double) for Ric-Rac Stitch
	181509			x					Disc (fixed) for Flexi-Stitch
90	139967-451		x	x					Disc Retaining Screw
91	174348	x			x	x	x	x	Bight Amplitude Selector and Worm Wheel Shaft Screw Stud
92	172996	x			x	x	x	x	Disc Retainer
93	381238	x			x	x	x	x	Disc (double, plastic) for Overedge Stretch Stitch
94	172020	x			x	x	x	x	Disc Retaining Spring
95	381550	x	x		x	x	x	x	Bight Amplitude Selector and Worm Wheel Shaft
	381550			x					Disc Driving Worm Wheel Shaft
96	174299	x	x		x	x	x	x	Bight Amplitude Selector Stop Plate (left)
97	141353-814	x	x		x	x	x	x	Bight Amplitude Selector Stop Plate Screw (2)
98	172854	x	x		x	x	x	x	Bight Amplitude Selector Stop Plate (right)
99	141903-814	x	x		x	x	x	x	Needle Position Control Dial Positioning Spring Screw (2)
100	172590	x	x		x	x	x	x	Needle Position Control Dial Positioning Spring
101	172830	x	x		x	x	x	x	Bight Amplitude and Needle Position Control Dials Shaft
102	172591	x	x	x	x	x	x	x	Needle Position Control Dial Stop Pin
103	172828	x	x		x	x	x	x	Bight Amplitude and Needle Position Control Dials Shaft Retaining Clip
104	181515	x	x			x			Bight Amplitude and Needle Position Control Dials Locking Screw Stud
105	139906-856	x	x		x	x	x	x	Needle Position Control Dial Adjusting Stud Screw
106	172848-001					x			Needle Position Control Dial 172846-001 with 139906-856 and 172827
	172848-656				x		x	x	Needle Position Control Dial 172846-656 with 139906-856 and 172827
	181521-451	x	x						Needle Position Control Dial 181514-451 with 139906-856 and 172827
107	172846-001					x			Needle Position Control Dial
	172846-656				x		x	x	Needle Position Control Dial
	181514-451	x	x						Needle Position Control Dial
108	172827	x	x		x	x	x	x	Needle Position Control Dial Adjusting Stud
109	139906-856	x	x		x	x	x	x	Bight Amplitude Control Dial Adjusting Stud Screw
110	172842-656				x		x	x	Bight Amplitude Control Dial 172841-656 with 139906-856 and 172827
	181505-451	x	x						Bight Amplitude Control Dial 181504-451 with 139906-856 and 172827
	172842-001					x			Bight Amplitude Control Dial 172841-001 with 139906-856 and 172827
111	172841-656				x		x	x	Bight Amplitude Control Dial
	181504-451	x	x						Bight Amplitude Control Dial
	172841-001					x			Bight Amplitude Control Dial
112	172827	x	x		x	x	x	x	Bight Amplitude Control Dial Adjusting Stud
113	141886-451	x	x		x	x	x	x	Bight Amplitude Selector and Worm Wheel Shaft Set Screw

From the library of: Diamond Needle Corp

List of Parts - APOLLO HOOK Machines

(BUTTONHOLE MECHANISM AND FEED CONTROL MECHANISM)



From the library of: Diamond Needle Corp.

List of Parts - APOLLO HOOK Machines

(BUTTONHOLE MECHANISM AND FEED CONTROL MECHANISM)

NO.	PART NO.	FLAT BED				CONV. BED			PART DESCRIPTION
		714	717	719	734	724	774	776	
1	174262				x	x	x	x	Buttonholer Needle Position Controller
2	141888-814				x	x	x	x	Buttonholer Needle Position Controller Shaft Clamping Screw
3	174263				x	x	x	x	Buttonholer Needle Position Controller 174262 with 141888-814
4	141856-814				x	x	x	x	Buttonholer Needle Position Controller Shaft Bracket Screw (2)
5	174267				x	x	x	x	Buttonholer Needle Position Controller Shaft
6	151576				x	x	x	x	Buttonholer Needle Position Controller Shaft Retaining Ring
7	172990				x	x	x	x	Buttonholer Needle Position Controller Shaft Bracket
8	172863-451				x	x	x	x	Buttonholer Dial and Feed Control Dial Mounting Bracket Complete
	181520-451	x	x	x					Feed Control Dial and Reverse Feed Dial Mounting Bracket Complete
9	174436				x	x	x	x	Buttonholer Needle Position and Feed Control Lever with 354116-452
10	141980-803				x	x	x	x	Buttonholer Needle Position and Feed Control Lever Hinge Screw
11	172943				x	x	x	x	Buttonholer Zero Stitch Adjusting Lever Return Spring
12	354116-452				x	x	x	x	Buttonholer Needle Position and Feed Control Lever Hub Set Screw
13	174271				x	x	x	x	Buttonholer Ratchet Cam Roller
14	174437				x	x	x	x	Buttonholer Needle Position and Feed Control Lever Tension Spring
15	174272				x	x	x	x	Buttonholer Zero Stitch Adjusting Lever Eccentric Stud
16	174290				x	x	x	x	Buttonholer Zero Stitch Adjusting Lever
17	53654-814				x	x	x	x	Buttonholer Needle Position and Feed Control Lever Hinge Screw Nut
18	141669-451				x	x	x	x	Buttonholer Dial Shield Position Screw
19	174369	x	x	x	x	x	x	x	Arm Shaft and Rotating Hook Belt Pulley Idler Stud
20	174383	x	x	x	x	x	x	x	Arm Shaft and Rotating Hook Belt Pulley Idler Stud Roller
21	141697-814				x	x	x	x	Buttonholer Ratchet Cam Positioning Spring Screw
22	174293				x	x	x	x	Buttonholer Ratchet Cam Positioning Spring
23	53642-814	x	x	x	x	x	x	x	Arm Shaft and Rotating Hook Belt Pulley Idler Stud Nut
24	174261				x	x	x	x	Buttonholer Dial Washer
25	174308				x	x	x	x	Buttonholer Ratchet Cam Pawl Driving Lever with 174270
26	174270				x	x	x	x	Buttonholer Ratchet Cam Pawl Tension Spring
27	174260				x	x	x	x	Buttonholer Dial Friction Spring
28	141864-814				x	x	x	x	Buttonholer Dial Friction Spring Screw
29	174495	x	x	x	x	x	x	x	Feed Driving Arm Connection Shaft with Spring
30	174432	x	x	x					Feed Control Dial and Reverse Feed Dial Mounting Bracket
	174432-001				x	x	x	x	Buttonholer Dial and Feed Control Dial Mounting Bracket
31	32376				x	x	x	x	Buttonholer Dial Retaining Ring
32	174434-656				x	x	x	x	Buttonholer Dial Shield (plastic)
33	174430-656				x	x	x	x	Buttonholer Dial (plastic)
34	141849-803	x	x	x					Feed Control Dial and Reverse Feed Dial Shaft Screw (2)
	141849-803				x	x	x	x	Buttonholer Dial and Feed Control Dial Shaft Screw (2)
35	174321				x	x	x	x	Buttonholer Dial and Feed Control Dial Shaft

From the library of: Diamond Needle Corp

List of Parts - APOLLO HOOK Machines

(BUTTONHOLE MECHANISM AND FEED CONTROL MECHANISM)

NO.	PART NO.	FLAT BED				CONV. BED			PART DESCRIPTION
		714	717	719	734	724	774	776	
36	141856-814	x	x	x					Feed Control Dial and Reverse Feed Dial Mounting Bracket Screw (4)
	141856-814				x		x	x	Buttonhole Dial and Feed Control Dial Mounting Bracket Screw (4)
	141856-814					x			Buttonhole Dial and Feed Control Dial Mounting Bracket Screw (upper) (2)
37	174478				x	x	x	x	Reverse Feed Lever Retaining Ring (left)
38	172599-001				x	x	x	x	Reverse Feed Lever
39	163562				x	x	x	x	Reverse Feed Lever Retaining Ring (right)
40	172684	x	x	x	x	x	x	x	Feed Driving Arm Connection Shaft Spacer
41	172860	x	x	x	x	x	x	x	Feed Control Dial Lever
42	151527	x	x	x	x	x	x	x	Feed Driving Arm Connection Shaft Retaining Ring
43	174374	x	x	x	x	x	x	x	Feed Driving Arm (upper)
44	174334	x	x	x	x	x	x	x	Feed Driving Arm (lower)
45	172800	x	x	x	x	x	x	x	Feed Driving Arm Connection Shaft Collar Pin
46	172714	x	x	x	x	x	x	x	Feed Driving Arm Connection Shaft Collar
47	172942	x	x	x	x	x	x	x	Feed Driving Arm (lower) Retaining Ring
48	174331	x	x	x	x	x	x	x	Feed Control Dial Friction Spring
49	141858-814	x	x	x	x	x	x	x	Feed Control Dial Friction Spring Screw
50	172771				x	x	x	x	Buttonholer Engaging Lever Tension Spring
51	141958-803				x	x	x	x	Buttonholer Engaging Lever Hinge Screw
52	172768				x	x	x	x	Buttonholer Engaging Lever
53	139959-452	x	x	x	x	x	x	x	Feed Cam Follower (manual) Hinge Screw Stud
54	172980	x	x	x	x	x	x	x	Feed Cam Follower (manual) Lever
55	174478	x	x	x	x	x	x	x	Feed Control Dial Retaining Ring (right)
56	174486-656	x	x	x	x	x	x	x	Feed Control Dial Shield (plastic)

From the library of: Diamond Needle Corp

List of Parts - APOLLO HOOK Machines

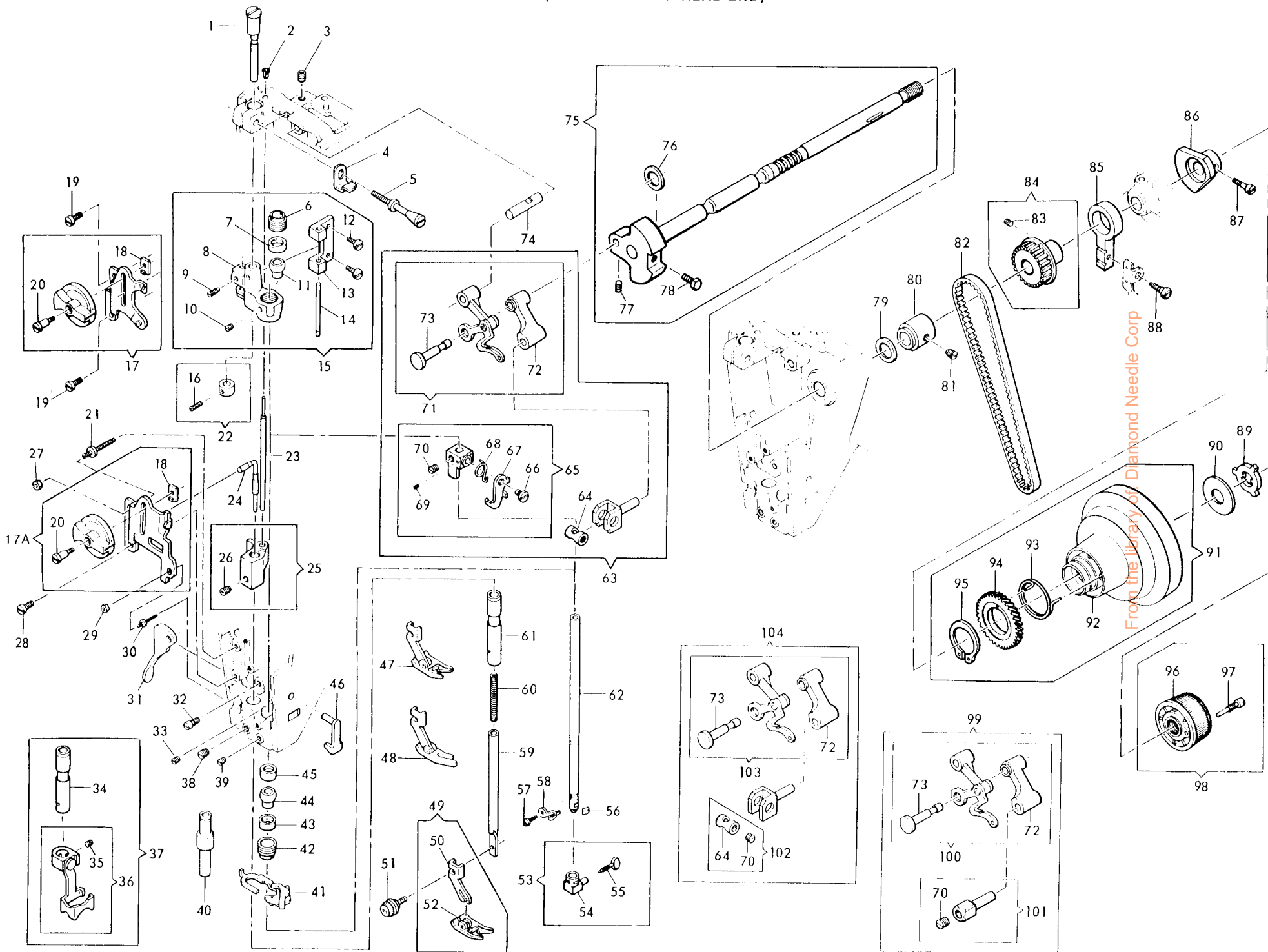
(BUTTONHOLE MECHANISM AND FEED CONTROL MECHANISM)

NO.	PART NO.	FLAT BED				CONV. BED			PART DESCRIPTION
		714	717	719	734	724	774	776	
57	174484-656				x	x	x	x	Feed Control Dial
58	163562				x	x	x	x	Feed Control Dial Retaining Ring (left)
59	174493	x	x	x	x	x	x	x	Feed Driving Arm Connection
60	172942	x	x	x	x	x	x	x	Feed Cam Follower (manual) Lever Hinge Stud Retaining Ring
61	172807	x	x	x	x	x	x	x	Feed Regulator Shaft Positioning Bracket Controlling Lever Spring and Wire Retaining Bracket Hook
62	141353-814	x	x	x	x	x	x	x	Feed Regulator Shaft Positioning Bracket Controlling Lever Spring and Wire Retaining Bracket Hook Screw
63	174376	x	x	x	x	x	x	x	Feed Driving Arm Connection Guide
64	141860-814	x	x	x	x	x	x	x	Feed Driving Arm Connection Guide Screw
65	174380	x	x	x	x	x	x	x	Feed Regulator Shaft Positioning Bracket Controlling Lever Spring
66	381670				x	x	x	x	Feed Regulator Shaft Positioning Bracket with 141772-869
	381671	x	x	x					Feed Regulator Shaft Positioning Bracket with 141772-869
67	141772-869	x	x	x	x	x	x	x	Feed Regulator Shaft Positioning Bracket Set Screw (back)
67A	141772-869	x	x	x	x	x	x	x	Feed Regulator Shaft Positioning Bracket Set Screw (front)
68	172572	x	x	x	x	x	x	x	Feed Regulator Shaft Positioning Bracket Spring
69	181510-451	x	x	x					Feed Control Dial
70	163562	x	x	x					Feed Control Dial Retaining Ring (left)
71	163562	x	x	x					Reverse Feed Dial Retaining Ring (right)
72	181528	x	x	x					Reverse Feed Dial Spacer (right)
73	181527	x	x	x					Reverse Feed Dial Spacer (left)
74	174321	x	x	x					Feed Control Dial and Reverse Feed Dial Shaft
75	172640-656	x	x	x					Reverse Feed Dial
76	174478	x	x	x					Reverse Feed Dial Retaining Ring (left)

From the library of: Diamond Needle Corp

List of Parts - APOLLO HOOK Machines

(ARM SHAFT AND HEAD END)



From the library of Diamond Needle Corp

List of Parts - APOLLO HOOK Machines

(ARM SHAFT AND HEAD END)

NO.	PART NO.	FLAT BED				CONV. BED			PART DESCRIPTION
		714	717	719	734	724	774	776	
1	172585	x	x		x	x	x	x	Needle Bar Vibrating Bracket Hinge Pin (eccentric)
2	172793	x	x	x	x	x	x	x	Tension Releasing Pin Retaining Clip
3	141907-830	x	x	x	x	x	x	x	Thread Take-up Lever Link Hinge Stud Set Screw
4	172782							x	Needle Bar Recoil Spring
5	182086	x	x	x	x	x	x	x	Needle Bar Vibrating Bracket Hinge Pin (eccentric) Clamping Screw
6	172220	x	x		x	x	x	x	Needle Bar Ball Bushing (upper) Adjusting Screw
7	172036	x	x		x	x	x	x	Needle Bar Ball Bushing (upper) Socket (plastic)
8	172619							x	Needle Bar Vibrating Bracket
	163833	x	x		x	x	x		Needle Bar Vibrating Bracket
9	998-830	x	x		x	x	x	x	Needle Bar Driving Arm Hinge Bracket Hinge Pin Set Screw
10	50311-830	x	x		x	x	x	x	Needle Bar Ball Bushing (upper) Adjusting Screw Set Screw
11	163804	x	x		x	x	x	x	Needle Bar Ball Bushing (upper)
12	139887-803	x	x		x	x	x	x	Needle Bar Driving Arm Hinge Bracket Screw (2)
13	172577	x	x		x	x	x	x	Needle Bar Driving Arm Hinge Bracket
14	172676	x	x		x	x	x	x	Needle Bar Driving Arm Hinge Bracket Hinge Pin
15	172777							x	Needle Bar Vibrating Bracket Assembly
	172584	x	x		x	x	x		Needle Bar Vibrating Bracket Assembly
16	141902-869	x	x		x	x	x	x	Needle Bar Vibrating Bracket Hinge Pin Collar Set Screw
17	172683-656	x	x	x	x	x	x		Presser Bar Pressure Regulating Knob with 53650-451 and 141944-809
17A	181547-451							x	Presser Bar Pressure Regulating Knob with 53650-451 and 141944-809
18	53650-451	x	x	x	x	x	x	x	Presser Bar Pressure Regulating Knob Adjusting Screw Nut
19	141854-809	x	x	x	x	x	x		Presser Bar Pressure Regulating Knob Bracket Screw (2)
20	141944-809	x	x	x	x	x	x	x	Presser Bar Pressure Regulating Knob Adjusting Screw
21	141853-830							x	Presser Bar Pressure Regulating Knob Bracket Adjusting Screw (upper)
22	172586	x	x		x	x	x	x	Needle Bar Vibrating Bracket Hinge Pin Collar with 141902-869
23	174409	x	x	x	x	x	x	x	Tension Releasing Pin
24	172878	x	x	x	x	x	x	x	Presser Bar Pressure Regulating Extension Pin
25	172594	x	x	x	x	x	x	x	Presser Bar Guide Bracket with 141800-869
26	141800-869	x	x	x	x	x	x	x	Presser Bar Guide Bracket Set Screw
27	53643-810							x	Presser Bar Pressure Regulating Knob Bracket Adjusting Screw Nut (upper)
28	141854-809							x	Presser Bar Pressure Regulating Knob Bracket Screw
29	53637-803							x	Presser Bar Pressure Regulating Knob Bracket Adjusting Screw Nut (lower)
30	141744-451							x	Presser Bar Pressure Regulating Knob Bracket Adjusting Screw (lower)
31	172989	x	x	x	x	x	x	x	Presser Bar Lifter
32	139963-451	x	x	x	x	x	x	x	Presser Bar Lifter Hinge Screw
33	139880-830	x	x	x	x	x	x	x	Thread Guide (upper) Set Screw
34	172069-002	x	x	x		x			Presser Bar Bushing
35	354204-451	x	x	x		x			Finger Guard Holder Set Screw
36	381205	x	x	x		x			Finger Guard Complete
37	381208	x	x	x		x			Set of Finger Guard Parts for School Machines

From the library of: Diamond Needle Corp

List of Parts - APOLLO HOOK Machines

(ARM SHAFT AND HEAD END)

NO.	PART NO.	FLAT BED				CONV. BED			PART DESCRIPTION
		714	717	719	734	724	774	776	
38	141904-830	x	x	x	x	x	x	x	Presser Bar Bushing Set Screw
39	141897-451	x	x		x	x	x	x	Needle Bar Ball Bushing (lower) Adjusting Screw Set Screw (in machine head)
	141897-451			x					Needle Bar Ball Bushing Set Screw (in machine head)
40	174174			x					Needle Bar Bushing
41	163117-002	x	x	x	x	x	x	x	Thread Guide (lower)
42	172220	x	x		x	x	x	x	Needle Bar Ball Bushing (lower) Adjusting Screw (in machine head)
	172220			x					Needle Bar Ball Bushing Adjusting Screw (in machine head)
43	172036	x	x		x	x	x	x	Needle Bar Ball Bushing (lower) Socket (lower) (in machine head)
44	163804	x	x		x	x	x	x	Needle Bar Ball Bushing (lower) (in machine head)
45	507804	x	x		x	x	x	x	Needle Bar Ball Bushing (lower) Socket (upper) (in machine head)
46	172839-002	x	x	x	x	x	x	x	Thread Guide (upper)
47	172904	x	x			x			Presser Foot Complete for Zig-Zag Sewing
48	181545			x					Presser Foot Complete for Straight Sewing
49	163839				x		x	x	Presser Foot (snap-on) Complete for Zig-Zag Sewing
50	163706				x		x	x	Presser Foot Shank (snap-on)
51	354135-452	x	x	x	x	x	x	x	Presser Foot Thumb Screw
52	163710				x		x	x	Presser Foot Plate (snap-on) for Zig-Zag Sewing
53	163123	x	x	x	x	x	x	x	Needle Clamp 163122 with 140751-853
54	163122	x	x	x	x	x	x	x	Needle Clamp Body
55	140751-853	x	x	x	x	x	x	x	Needle Thumb Screw
56	163822	x	x	x	x	x	x	x	Needle Bar Gib
57	141453-880	x	x	x	x	x	x	x	Needle Clamp Body, Needle Clamp Thread Guide and Needle Stop Screw
58	163431	x	x	x	x	x	x	x	Needle Clamp Thread Guide
59	172068	x	x	x	x	x	x	x	Presser Bar (hollow)
60	172879	x	x	x	x	x	x	x	Presser Bar Spring
61	172069-001				x		x	x	Presser Bar Bushing
	172069-002	x	x	x		x			Presser Bar Bushing
62	163803							x	Needle Bar (hollow)
	172033	x	x		x	x	x		Needle Bar (hollow)
	179007			x					Needle Bar (hollow)
63	172832							x	Thread Take-up Lever (slotted) Assembly
64	172043	x	x		x	x	x	x	Needle Bar Connecting Stud Hinge Pin
65	381831							x	Needle Bar Latch Carrier Complete with 1266-451, 354174-451, 381815 and 381816
66	381816							x	Needle Bar Latch Adjusting Stud (eccentric)
67	381815							x	Needle Bar Latch
68	163815							x	Needle Bar Latch Spring
69	354174-451							x	Needle Bar Latch Adjusting Stud (eccentric) Set Screw
70	1266-451	x	x	x	x	x	x	x	Needle Bar Clamping Screw

From the library of: Diamond Needle Corp

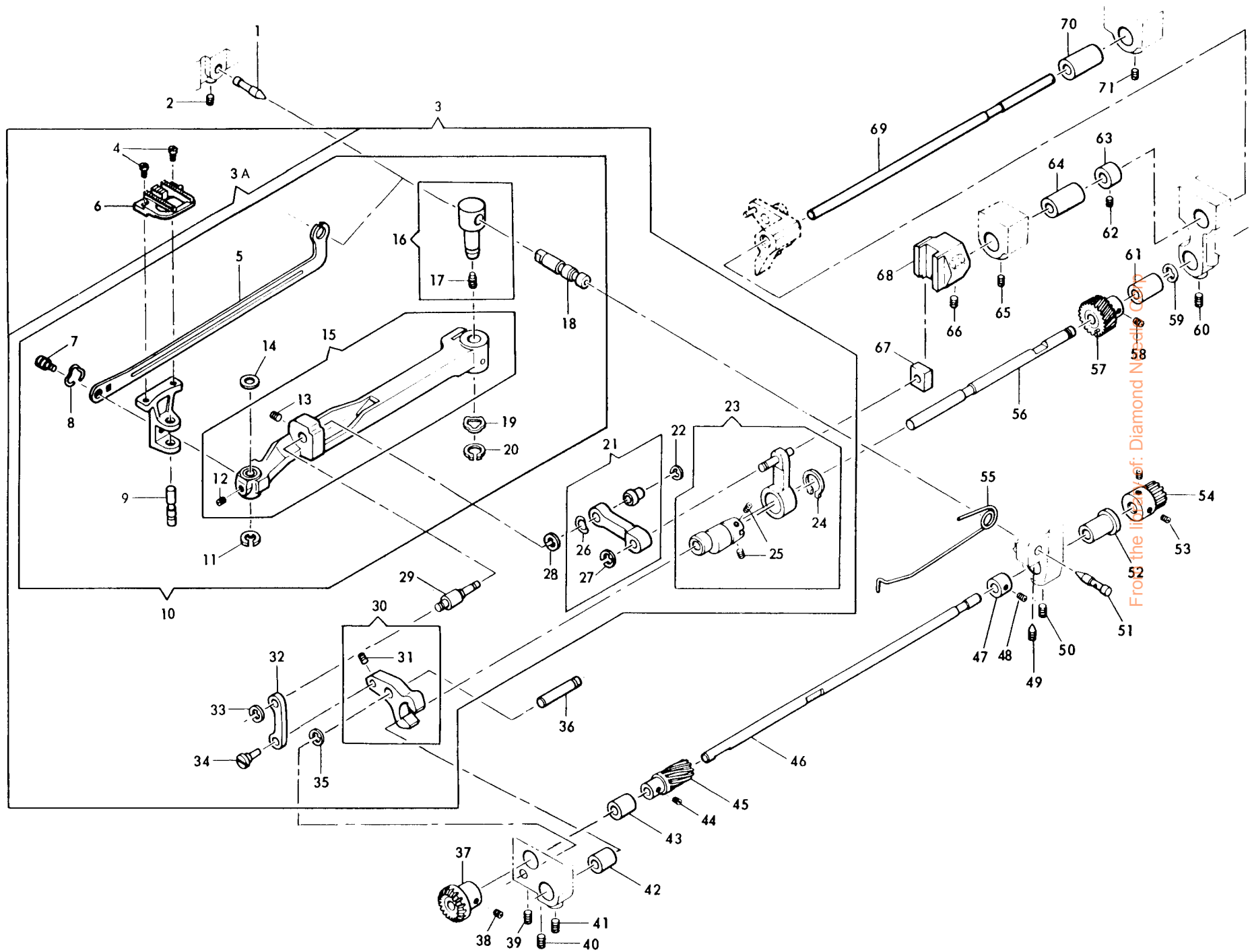
List of Parts - APOLLO HOOK Machines

(ARM SHAFT AND HEAD END)

NO.	PART NO.	FLAT BED				CONV. BED			PART DESCRIPTION
		714	717	719	734	724	774	776	
71	172833				x		x	x	Thread Take-up Lever (slotted) with 172941 and 507650
72	507650	x	x	x	x	x	x	x	Needle Bar Connecting Link
73	172941	x	x	x	x	x	x	x	Thread Take-up Stud
74	172608	x	x	x	x	x	x	x	Thread Take-up Lever Link Hinge Stud
75	383148	x	x	x	x	x	x	x	Arm Shaft (horizontal) with 139999-451, 354565-451 and 383020
76	383020	x	x	x	x	x	x	x	Needle Bar Crank Washer (plastic)
77	354565-451	x	x	x	x	x	x	x	Thread Take-up Stud Set Screw
78	139999-451	x	x	x	x	x	x	x	Needle Bar Crank Position Screw
79	383020	x	x	x	x	x	x	x	Arm Shaft (horizontal) Retaining Collar Thrust Washer (plastic)
80	382901	x	x	x	x	x	x	x	Arm Shaft (horizontal) Retaining Collar with 354565-451
81	354565-45	x	x	x	x	x	x	x	Arm Shaft (horizontal) Retaining Collar Set Screw
82	174283	x	x	x	x	x	x	x	Belt
83	141834-869				x	x	x	x	Arm Shaft (horizontal) Belt Pulley and Buttonholer Driving Eccentric Set Screw
	141834-869	x	x	x					Arm Shaft (horizontal) Belt Pulley Set Screw
84	174285				x	x	x	x	Arm Shaft (horizontal) Belt Pulley and Buttonholer Driving Eccentric with 141834-869
	174285	x	x	x					Arm Shaft (horizontal) Belt Pulley with 141834-869
85	174381				x	x	x	x	Buttonholer Driving Link Extension
86	174136	x	x	x	x	x	x	x	Arm Shaft (horizontal) Counterbalance
87	140559-803	x	x	x	x	x	x	x	Arm Shaft (horizontal) Counterbalance Screw
88	139949-453				x	x	x	x	Buttonholer Driving Link Screw
89	163905	x	x	x	x	x	x	x	Clamp Stop Motion Clamp Washer
90	381615	x	x	x	x	x	x	x	Hand Wheel Spacer
91	382736-451	x	x	x	x	x	x	x	Hand Wheel 382735-451 with 170021, 172312 and 382865
92	382735-451	x	x	x	x	x	x	x	Hand Wheel (plastic)
93	382865	x	x	x	x	x	x	x	Hand Wheel Gear Spring
94	172312	x	x	x	x	x	x	x	Hand Wheel Gear
95	170021	x	x	x	x	x	x	x	Hand Wheel Snap Ring
96	381705-451	x	x	x	x	x	x	x	Clamp Stop Motion Clamp Nut (plastic)
97	354154-451	x	x	x	x	x	x	x	Clamp Stop Motion Clamp Stop
98	381710-451	x	x	x	x	x	x	x	Clamp Stop Motion Clamp Nut 381705-451 with 354154-451
99	172945			x					Thread Take-up Lever (not slotted) Assembly
100	172946			x					Thread Take-up Lever (not slotted) with 172941 and 507650
101	163827			x					Needle Bar Connecting Stud with 1266-451
102	172044	x	x		x	x	x		Needle Bar Connecting Stud Hinge Pin
103	172833				x		x		Thread Take-up Lever (slotted) with 172941 and 507650
104	172834				x		x		Thread Take-up Lever (slotted) Assembly
	181523	x	x			x			Thread Take-up Lever (not slotted) Assembly

From the library of: Diamond Needle Corp

List of Parts - APOLLO HOOK Machines (ALPHA FEED)



From the ITC of: Diamond Needle Co.

List of Parts - APOLLO HOOK Machines (ALPHA FEED)

NO.	PART NO.	FLAT BED				CONV. BED			PART DESCRIPTION
		714	717	719	734	724	774	776	
1	172801	x	x	x	x	x	x	x	Feed Bar Pivot Hinge Stud Adjusting Pin (eccentric) Screw Center (back)
2	141814-451	x	x	x	x	x	x	x	Feed Bar Pivot Hinge Stud Adjusting Pin (eccentric) Screw Center (back) Set Screw
3	181518-001	x	x		x				Feed Bar Complete with Feed Dog
	172649-001			x					Feed Bar Complete with Feed Dog
3A	382834					x	x	x	Feed Bar Complete Less Feed Dog
4	141896-451	x	x	x	x	x	x	x	Feed Dog Screw (2)
5	174216	x	x	x	x	x	x	x	Feed Dog Holder Compensating Link
6	181512	x	x		x	x	x	x	Feed Dog
	172650			x					Feed Dog
7	141827-803	x	x	x	x	x	x	x	Feed Dog Holder Compensating Link Screw Stud
8	511075	x	x	x	x	x	x	x	Feed Dog Holder Compensating Link Retaining Spring
9	174217	x	x	x	x	x	x	x	Feed Dog Holder Stud
10	382831	x	x	x	x	x	x	x	Feed Bar Assembly (machined)
11	163562	x	x	x	x	x	x	x	Feed Dog Holder Stud Retaining Ring
12	139878-869	x	x	x	x	x	x	x	Feed Dog Holder Stud Screw
13	141812-451	x	x	x	x	x	x	x	Feed Bar Connection and Feed Lifting Fork Connection Hinge Stud (eccentric) Set Screw
14	174251	x	x	x	x	x	x	x	Feed Dog Holder Washer
15	174243	x	x	x	x	x	x	x	Feed Bar with 139878-869 and 141812-451
16	174214	x	x	x	x	x	x	x	Feed Bar Pivot Hinge Stud with 141801-451
17	141801-451	x	x	x	x	x	x	x	Feed Bar Pivot Hinge Stud Lock Screw
18	174249	x	x	x	x	x	x	x	Feed Bar Pivot Hinge Stud Adjusting Pin (eccentric)
19	511211	x	x	x	x	x	x	x	Feed Bar Pivot Hinge Stud Spring Washer
20	172876	x	x	x	x	x	x	x	Feed Bar Pivot Hinge Stud Retaining Ring
21	381806	x	x	x	x	x	x	x	Feed Bar Connection with 151576 and 172947
22	163562	x	x	x	x	x	x	x	Feed Bar Connection and Feed Lifting Fork Connection Hinge Stud (eccentric) Retaining Ring
23	172880-001	x	x	x	x	x	x	x	Feed Regulator Slide Block Drive Connection with 174277 and two 141802-869
24	174277	x	x	x	x	x	x	x	Feed Regulator Slide Block Drive Connection Retaining Ring
25	141802-869	x	x	x	x	x	x	x	Feed Lifting Cam and Feed (eccentric) Set Screw (2)
26	172947	x	x	x	x	x	x	x	Feed Bar Connection and Feed Lifting Fork Connection Hinge Stud (eccentric) Spring Washer
27	151576	x	x	x	x	x	x	x	Feed Bar Connection Retaining Ring
28	163562	x	x	x	x	x	x	x	Feed Bar Connection Retaining Ring
29	174247	x	x	x	x	x	x	x	Feed Bar Connection and Feed Lifting Fork Connection Hinge Stud (eccentric)
30	174276	x	x	x	x	x	x	x	Feed Lifting Fork with 141802-869
31	141802-869	x	x	x	x	x	x	x	Feed Lifting Fork Connection Hinge Stud (eccentric) Set Screw
32	511016	x	x	x	x	x	x	x	Feed Lifting Fork Connection
33	163562	x	x	x	x	x	x	x	Feed Lifting Fork Connection Retaining Ring

From the library of: Diamond Needle Corp

List of Parts - APOLLO HOOK Machines (ALPHA FEED)

NO.	PART NO.	FLAT BED				CONV. BED			PART DESCRIPTION
		714	717	719	734	724	774	776	
34	174220	x	x	x	x	x	x	x	Feed Lifting Fork Connection Hinge Stud (eccentric)
35	163562	x	x	x	x	x	x	x	Feed Lifting Fork Hinge Stud Retaining Ring (left and right) (2)
36	511057	x	x	x	x	x	x	x	Feed Lifting Fork Hinge Stud
37	163331	x	x	x	x	x	x	x	Rotating Hook Drive Shaft Bevel Gear (plastic) with 141338-869
38	141338-869	x	x	x	x	x	x	x	Rotating Hook Drive Shaft Bevel Gear (plastic) Set Screw
39	141814-451	x	x	x	x	x	x	x	Feed Lifting Fork Hinge Stud Set Screw
40	139878-869	x	x	x	x	x	x	x	Rotating Hook Drive Shaft Bushing (left) Set Screw
41	141814-451	x	x	x	x	x	x	x	Feed Drive Shaft Bushing (left) Set Screw
42	174219	x	x	x	x	x	x	x	Feed Drive Shaft Bushing (left)
43	174232-900	x	x	x	x	x	x	x	Rotating Hook Drive Shaft Bushing (left)
44	141772-869	x	x	x	x	x	x	x	Feed Drive Shaft Driving Gear (helical, plastic) Set Screw
45	174488	x	x	x	x	x	x	x	Feed Drive Shaft Driving Gear (helical, plastic) with 141772-869
46	174231	x	x	x	x	x	x	x	Rotating Hook Drive Shaft
47	174235	x	x	x	x	x	x	x	Rotating Hook Drive Shaft Collar with 141802-869
48	141802-869	x	x	x	x	x	x	x	Rotating Hook Drive Shaft Collar Set Screw
49	354598-451	x	x	x	x	x	x	x	Feed Bar Pivot Hinge Stud Adjusting Pin (eccentric) Screw Center (front) Set Screw
50	141891-830	x	x	x	x	x	x	x	Rotating Hook Drive Shaft Bushing (right) Set Screw
51	382998	x	x	x	x	x	x	x	Feed Bar Pivot Hinge Stud Adjusting Pin (eccentric) Screw Center (front)
52	174233	x	x	x	x	x	x	x	Rotating Hook Drive Shaft Bushing (right)

From the library of: Diamond Needle Corp

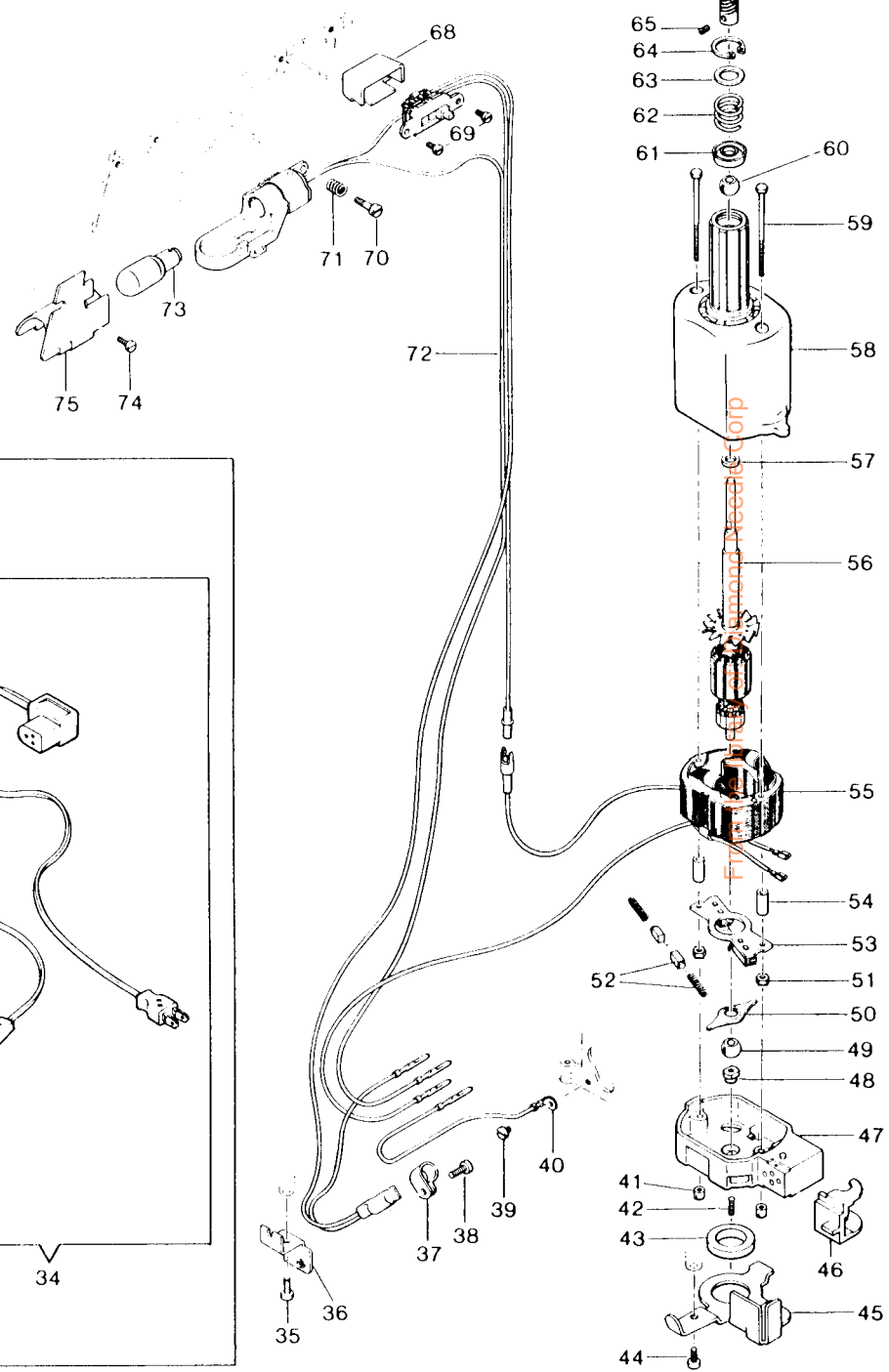
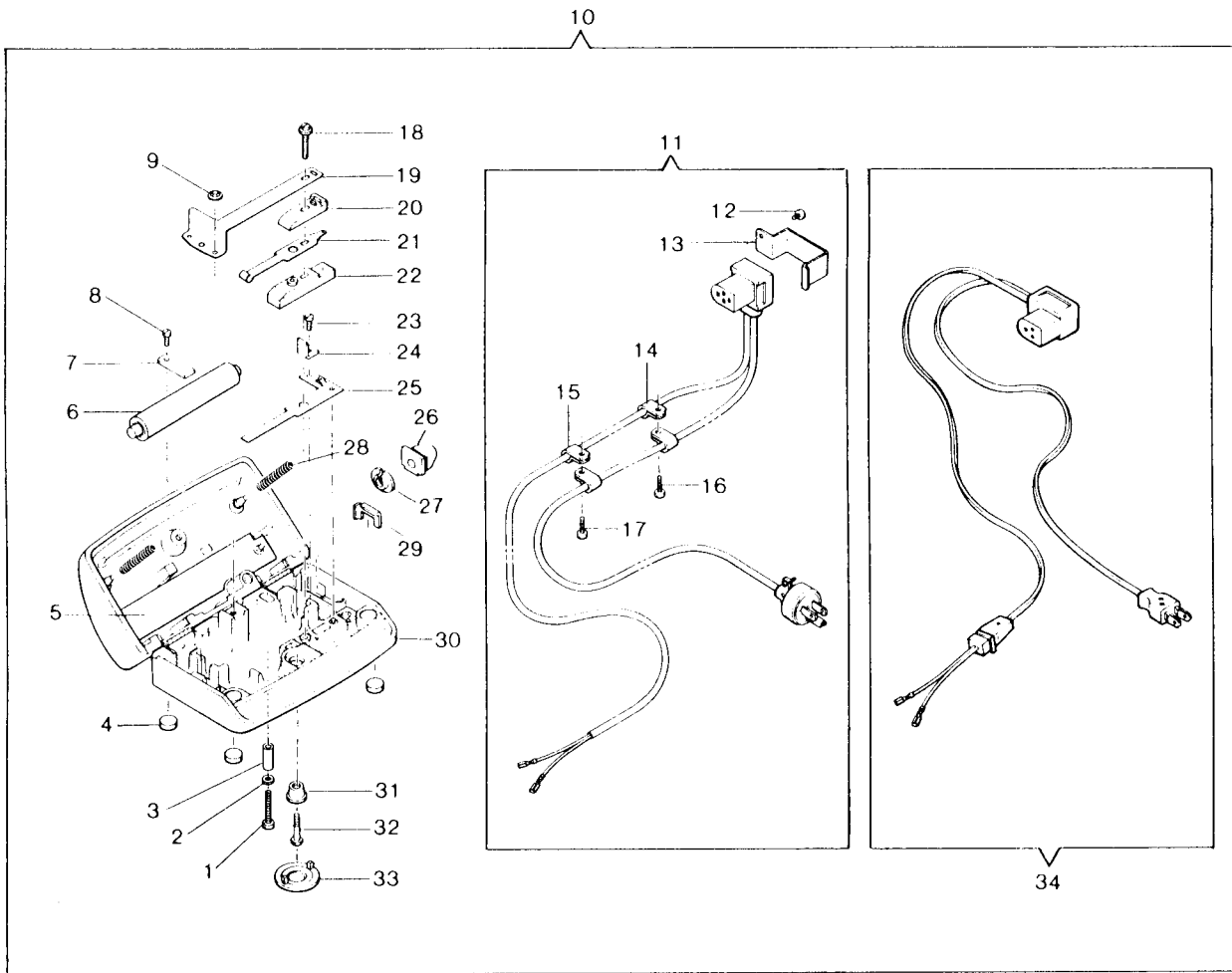
List of Parts - APOLLO HOOK Machines (ALPHA FEED)

NO.	PART NO.	FLAT BED				CONV. BED			PART DESCRIPTION
		714	717	719	734	724	774	776	
53	141338-869	x	x	x	x	x	x	x	Rotating Hook Drive Shaft Belt Pulley Set Screw (2)
54	174282-001	x	x	x	x	x	x	x	Rotating Hook Drive Shaft Belt Pulley with two 141338-869
55	511352	x	x	x	x	x	x	x	Feed Bar Spring
56	174218	x	x	x	x	x	x	x	Feed Drive Shaft
57	174491	x	x	x	x	x	x	x	Feed Drive Shaft Gear (helical, plastic) with 141338-869
58	141338-869	x	x	x	x	x	x	x	Feed Drive Shaft Gear (helical, plastic) Set Screw
59	163562	x	x	x	x	x	x	x	Feed Drive Shaft Retaining Ring
60	141815-830	x	x	x	x	x	x	x	Feed Drive Shaft Bushing (right) Set Screw
61	174241	x	x	x	x	x	x	x	Feed Drive Shaft Bushing (right)
62	141772-869	x	x	x	x	x	x	x	Feed Regulator Shaft Collar Set Screw
63	174225	x	x	x	x	x	x	x	Feed Regulator Shaft Collar with 141772-869
64	174223	x	x	x	x	x	x	x	Feed Regulator Shaft Bushing (left)
65	141814-451	x	x	x	x	x	x	x	Feed Regulator Shaft Bushing (left) Set Screw
66	141818-869	x	x	x	x	x	x	x	Feed Regulator Set Screw
67	511030	x	x	x	x	x	x	x	Feed Regulator Slide Block
68	174499	x	x	x	x	x	x	x	Feed Regulator with 141818-869
69	174222	x	x	x	x	x	x	x	Feed Regulator Shaft
70	174223	x	x	x	x	x	x	x	Feed Regulator Shaft Bushing (right)
71	141814-451	x	x	x	x	x	x	x	Feed Regulator Shaft Bushing (right) Set Screw

From the library of: Diamond Needle Corp

List of Parts - APOLLO HOOK Machines (ELECTRICAL PARTS)

619375-001 PA30-8 Less Pinion	FLAT BED				CONV. BED		
619375-002 PA30-8 with Pinion	714	717	719	734	724	774	776
Electrical Equipment 604137-002					x		
Electrical Equipment 604395-001	x	x	x				
Electrical Equipment 604712-001						x	x
Electrical Equipment 619438-001	x	x	x	x	x	x	x



List of Parts - APOLLO HOOK Machines (ELECTRICAL PARTS)

NO.	PART NO.	FLAT BED				CONV. BED			PART DESCRIPTION
		714	717	719	734	724	774	776	
1	618634-003	x	x	x	x	x	x	x	Security Screw for 619494-001
2	701511-018	x	x	x	x	x	x	x	Security Screw Washer
3	197790-010	x	x	x	x	x	x	x	Security Screw Spacer
4	619491-001	x	x	x	x	x	x	x	Pedal Base Foot (4)
5	603832-001	x	x	x	x	x	x	x	Heat Shield
6	618804-003	x	x	x	x	x	x	x	Resistance Unit Complete
7	618612-001	x	x	x	x	x	x	x	Resistance Unit Clamp
8	618634-002	x	x	x	x	x	x	x	Resistance Unit Clamp Screw
9	618718-001	x	x	x	x	x	x	x	Push-on Fastener
10	603864-003					x			Controller Complete, Single Pile, (grounded)
	603864-004	x	x	x					Controller Complete, Single Pile, (grounded)
	619494-001				x		x	x	Controller with Cords Complete
11	604132-002					x			Cord Harness Complete for 603864-003
	604313-001	x	x	x					Line and Controller Cords Complete for 603864-004
12	618695-003	x	x	x					Plug Retaining Bracket Screw
13	604119-001	x	x	x					Plug Retaining Bracket
14	977611-008	x	x	x		x			Cable Clamp (2)
15	977611-001					x			Cable Clamp
	977611-007	x	x	x					Cable Clamp (2)
16	354106-451					x			Cable Clamp Screw
17	618695-006	x	x	x		x			Cable Clamp Screw (2)
18	618824-001	x	x	x	x	x	x	x	Fastening Screw and Washer
19	618609-001	x	x	x	x	x	x	x	Actuating Spring
20	618608-001	x	x	x	x	x	x	x	Contact Spacer (top)
21	618823-001	x	x	x	x	x	x	x	Contact Spring
22	618822-001	x	x	x	x	x	x	x	Contact Spacer (bottom)
23	618634-002	x	x	x	x	x	x	x	Shorting Strap Screw
24	618815-001	x	x	x	x	x	x	x	Shorting Strap
25	618821-001	x	x	x	x	x	x	x	Shorting Spring
26	618905-002	x	x	x					Strain Relief Sleeve for 604313-001
	618905-002					x			Strain Relief Sleeve for 604132-002
27	618969-001	x	x	x		x			Strain Relief Clip for 604132-002
28	618542-001	x	x	x	x	x	x	x	Pedal Return Spring (2)
29	618831-001				x		x	x	Strain Relief Clip for 619494-001
30	619493-001				x		x	x	Base and Pedal Assembly for 619494-001
	619493-006	x	x	x		x			Base and Pedal Assembly for 603864-004
31	619179-001	x	x	x	x	x	x	x	Pedal Retaining Cup
32	603758-001	x	x	x	x	x	x	x	Shoulder Screw
33	619492-001	x	x	x	x	x	x	x	Pedal Base Snap-on Plug
34	618388-001				x		x	x	Cord Complete for 619494-001

From the library of: Diamond Needle Corp

List of Parts - APOLLO HOOK Machines
(ELECTRICAL PARTS)

NO.	PART NO.	FLAT BED				CONV. BED			PART DESCRIPTION
		714	717	719	734	724	774	776	
35	619408-001	x	x	x		x			Mercury Switch Mounting Bracket Screw
36	604120-001	x	x	x					Mercury Switch Mounting Bracket
	604120-002					x			Mercury Switch Mounting Bracket
37	977611-007	x	x	x		x			Mercury Switch Clamp
38	619408-001	x	x	x		x			Mercury Switch Clamp Screw
39	141873-814	x	x	x		x			Ground Screw
40	604130-001	x	x	x		x			Ground Lead Complete
41	51796-002	x	x	x	x	x	x	x	Housing (commutator end) Fastening Nut (2)
42	618630-001	x	x	x	x	x	x	x	Thrust Screw
43	507165	x	x	x	x	x	x	x	Rubber Ring
44	619407-002	x	x	x	x	x	x	x	Motors Hold Down Plate Screw
45	619329-001	x	x	x	x	x	x	x	Motors Hold Down Plate
46	603801-001	x	x	x	x	x	x	x	Motor Receptacle Cover
47	619320-008	x	x	x	x	x	x	x	Housing (commutator end)
48	618631-00	x	x	x	x	x	x	x	Thrust Screw Nut
49	195540-002	x	x	x	x	x	x	x	Housing Bearing (commutator end)
50	195541-001	x	x	x	x	x	x	x	Housing Bearing Retainer (commutator end)
51	706404-019	x	x	x	x	x	x	x	Brush Holder Nut (2)
52	772915-004	x	x	x	x	x	x	x	Brush with Spring (2)
53	619324-001	x	x	x	x	x	x	x	Brush Holder with Tubes
54	197790-008	x	x	x	x	x	x	x	Brush Holder Spacing Bushing (2)
55	619327-002	x	x	x	x	x	x	x	Field Core (wound) Complete

From the library of: Diamond Needle Corp

List of Parts - APOLLO HOOK Machines

(ELECTRICAL PARTS)

NO.	PART NO.	FLAT BED				CONV. BED			PART DESCRIPTION
		714	717	719	734	724	774	776	
56	619382-001	x	x	x	x	x	x	x	Armature Complete
57	618721-002	x	x	x	x	x	x	x	Spacer
58	619321-002	x	x	x	x	x	x	x	Housing (pinion end)
59	140894-001	x	x	x	x	x	x	x	Housing (pinion end) Fastening Screw (2)
60	92993-001	x	x	x	x	x	x	x	Armature Shaft Bearing (pinion end)
61	619110-001	x	x	x	x	x	x	x	Armature Shaft Bearing Retainer (pinion end)
62	619111-001	x	x	x	x	x	x	x	Armature Shaft Bearing Retainer Spring (pinion end)
63	619160-001	x	x	x	x	x	x	x	Armature Shaft Bearing (internal) Retainer Washer
64	619112-001	x	x	x	x	x	x	x	Armature Shaft Bearing Retainer Ring (pinion end)
65	141772	x	x	x	x	x	x	x	Armature Shaft Pinion Set Screw
66	197782-001	x	x	x	x	x	x	x	Armature Shaft Pinion with Screw
67	172972	x	x	x	x	x	x	x	Driving Sleeve
68	619338-001	x	x	x	x	x	x	x	Light and Power Switch Enclosure
69	354434-451	x	x	x	x	x	x	x	Light Switch Screw (2)
70	619407-003	x	x	x	x	x	x	x	Light Body Pivot Screw
71	619387-001	x	x	x	x	x	x	x	Light Bracket Spring
72	619386-001				x		x	x	Light with Switch, and Harness (less lamp)
	604133-002	x	x	x					Light with Switch and Harness (less lamp)
	604133-005					x			Light with Switch and Harness (less lamp)
73	777910-001	x	x	x	x	x	x	x	Light Lamp
74	354434-451	x	x	x	x	x	x	x	Light Shield Screw
75	619442-001	x	x	x	x	x	x	x	Light Shield

From the library of: Diamond Needle Corp